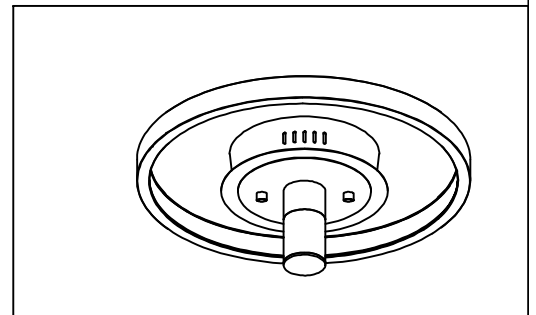
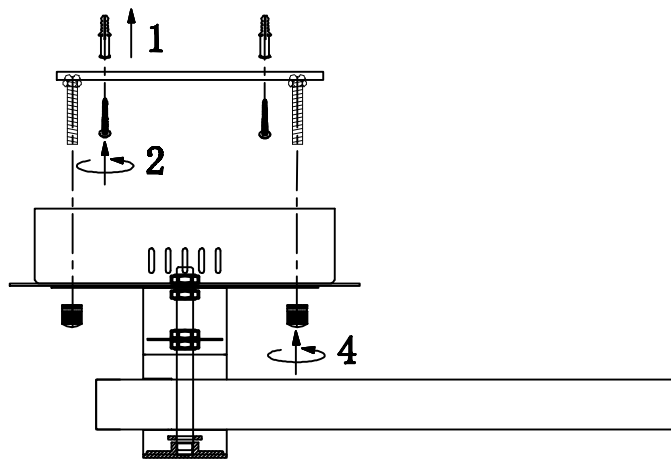
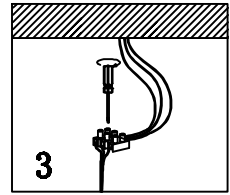


use instruction



NOTE:

1: This lighting only can be used in a room.
2: Do not turn the switch on before assembly.
3: If you want to change the bulb, please turn the switch off, and after the bulb is cold.
Voltage: 220-240V
Bulb: 15W
Lamp holder: LED
Frequency: 50/60Hz

Maintenance and repair

In order to use this product for long, please clean it every month one time. Please use only fine glass cleaner and soft rag to clean the surface, always unplug it before cleaning.
Warning:
Do not use gasoline, alcohol to clean it, because it will destroy it.

Model: 2116-1U