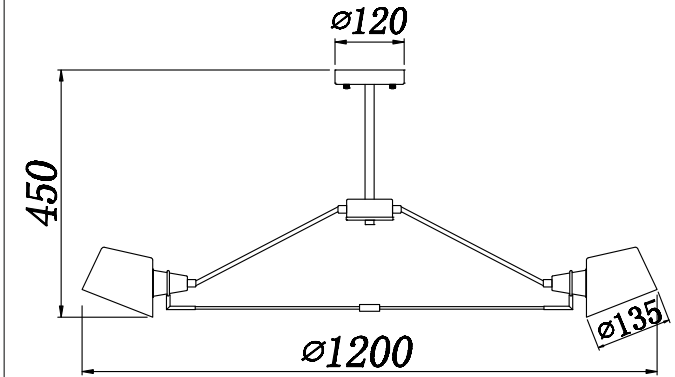
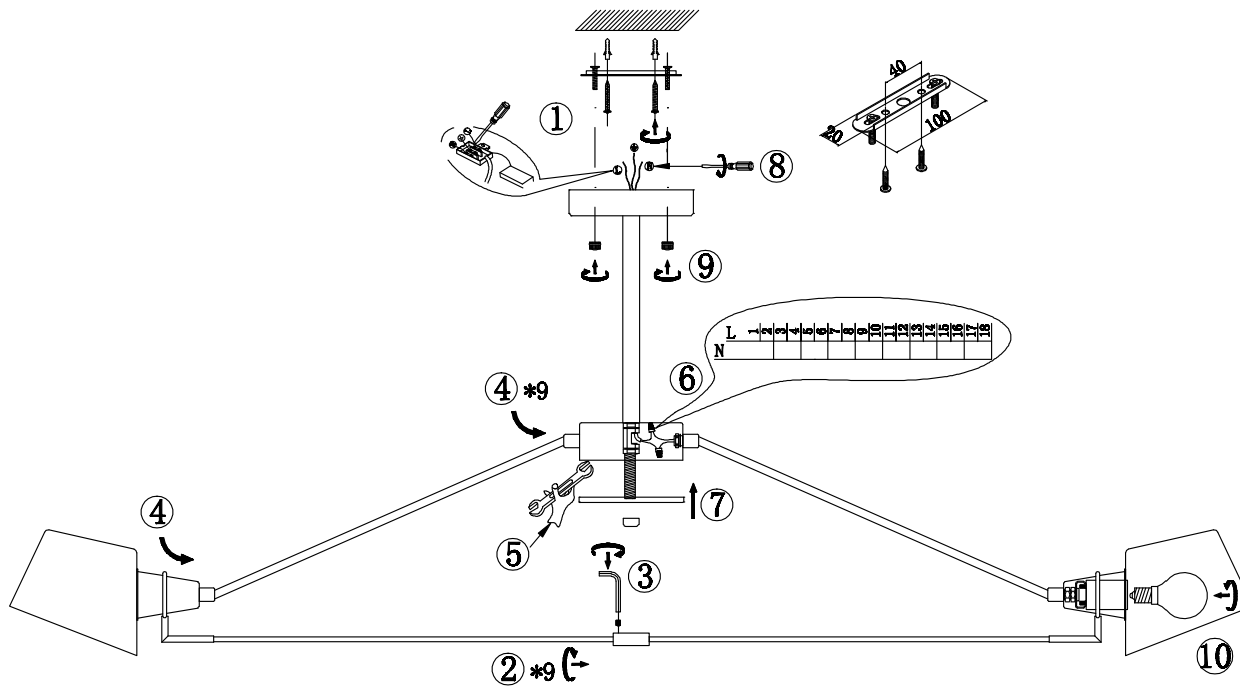




FREYA
TRADITION OF QUALITY

INSTRUCTION

MODEL: FR5038-CL-09-B



9 x E14 (40W)

FREYA-LIGHT.COM