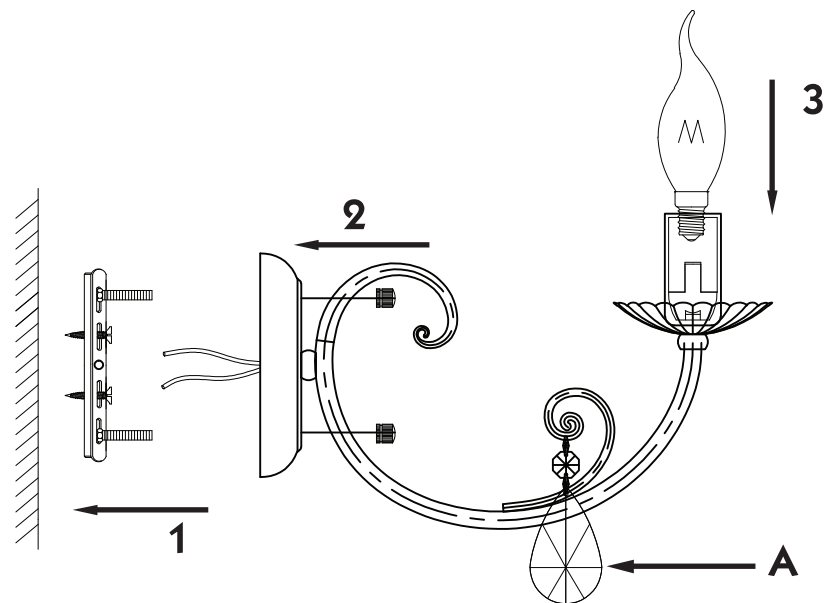


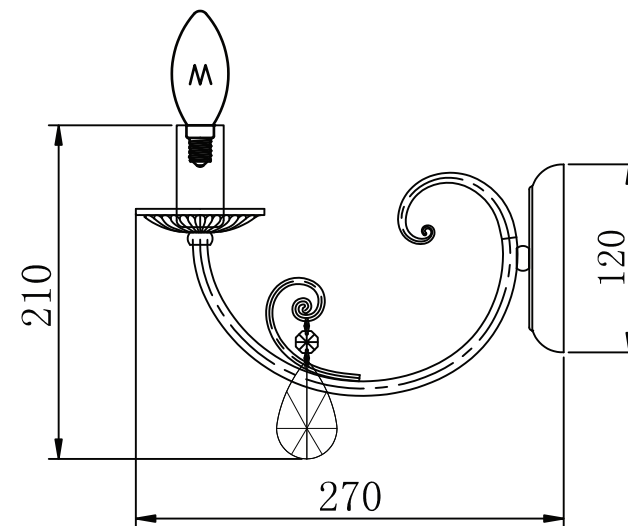
# Instruction

Collection: Elegant  
Series: Foxtrot  
Model: ARM336-01-W  
Wall-mounted

A = 2



 - Wall-mounted



1 x E14 (60w)



MAYTONI  
CHANDELIERS  
[www.maytoni.de](http://www.maytoni.de)