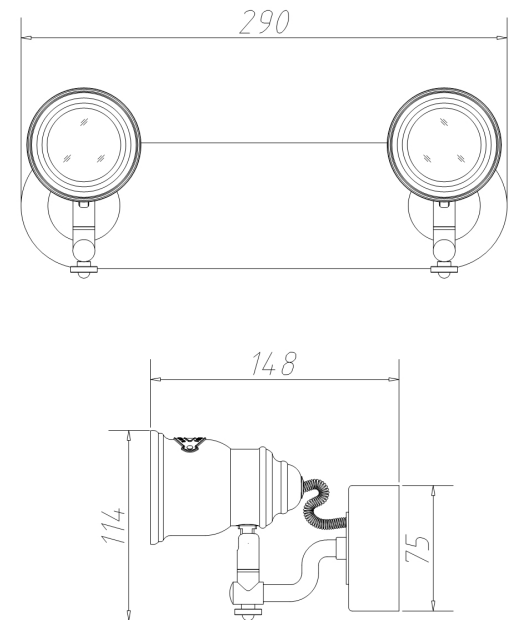
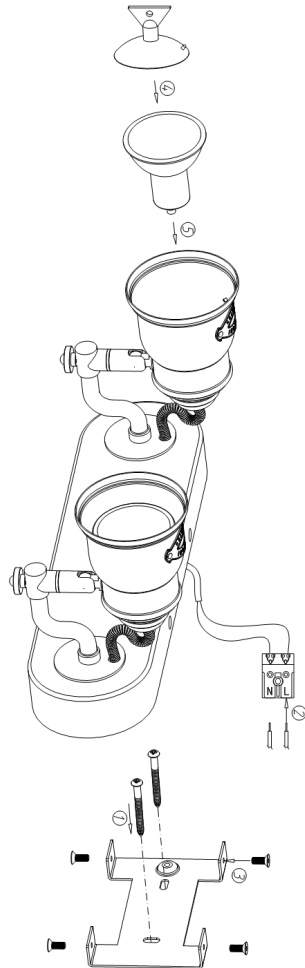


# Instruction

Collection: SPOT  
Series: BORGO  
Model: SP315-CW-02-BS  
Wall & ceiling



- Wall & ceiling



2 x GU10 (50W)

**MAYTONI**  
DECORATIVE LIGHTING

[www.maytoni.de](http://www.maytoni.de)