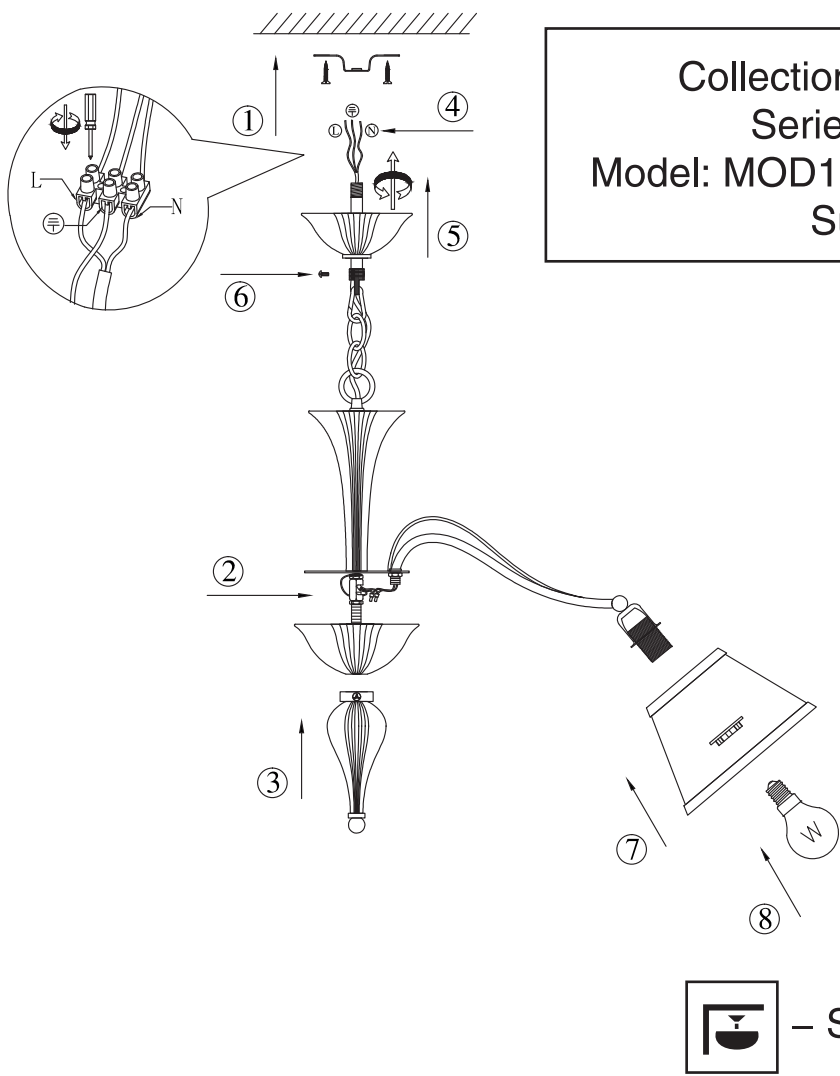
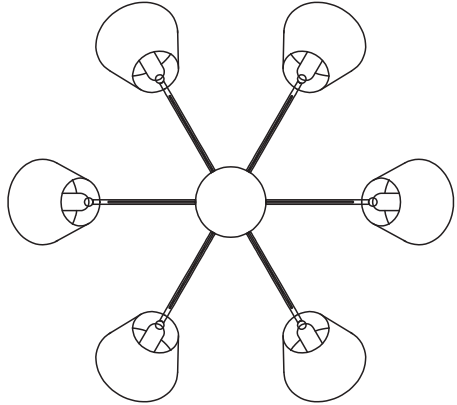
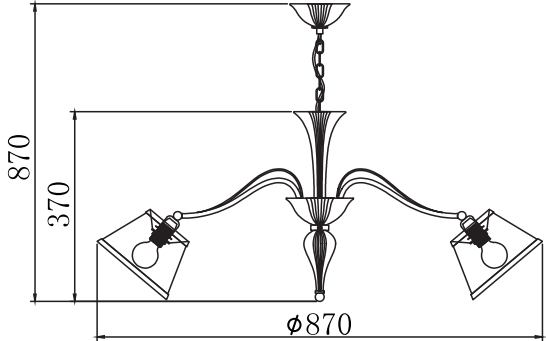


# Instruction



Collection: Modern  
Series: Virginité  
Model: MOD150-06-W  
Suspended



6 x E14 (40w)

**MAYTONI**  
DECORATIVE LIGHTING

[www.maytoni.de](http://www.maytoni.de)