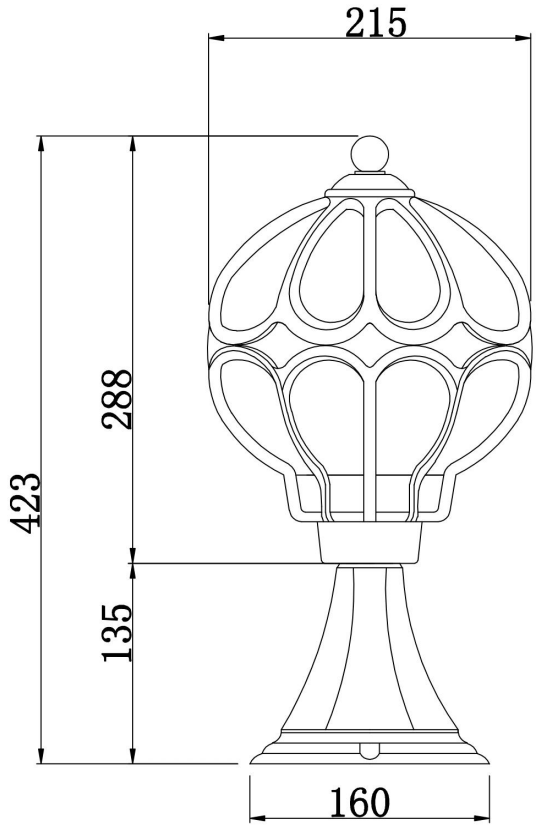
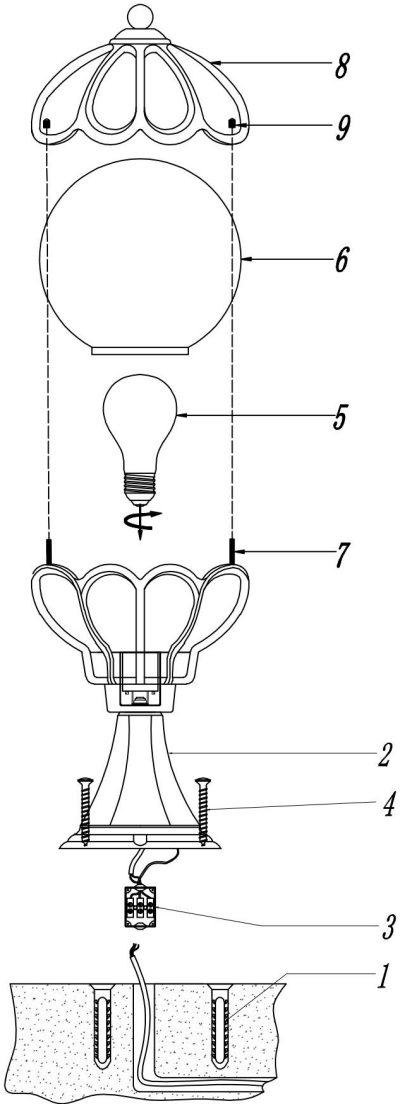


# Instruction

Collection: OUTDOOR  
Series: CHAMPS ELYSEES  
Model: S110-45-01-R  
Mobile



  
1 x E27 (100W)

**MAYTONI**  
DECORATIVE LIGHTING  
[www.maytoni.de](http://www.maytoni.de)