

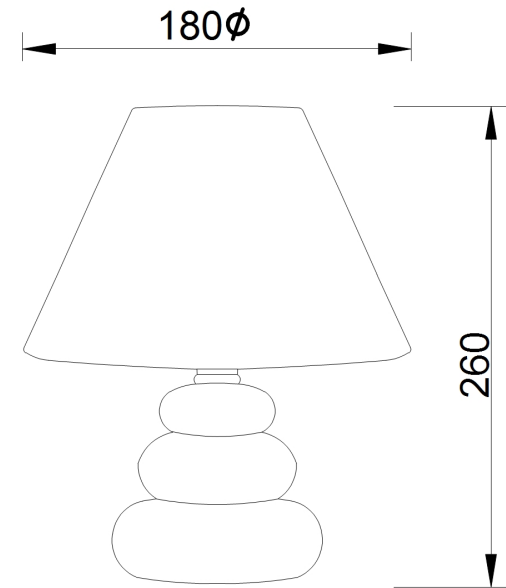
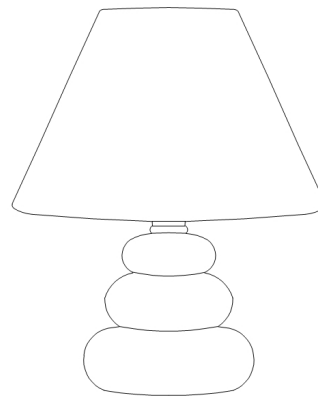
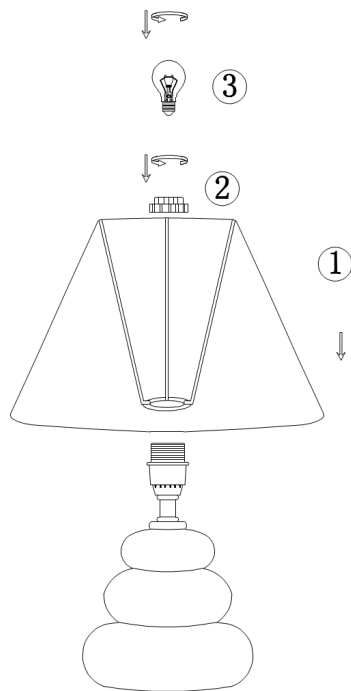
Instruction

Collection: TABLE & FLOOR

Series: BALANCE

Model: MOD005-11-W

Mobile



- Mobile



1 x E14 (60W)

MAYTONI
DECORATIVE LIGHTING

www.maytoni.de