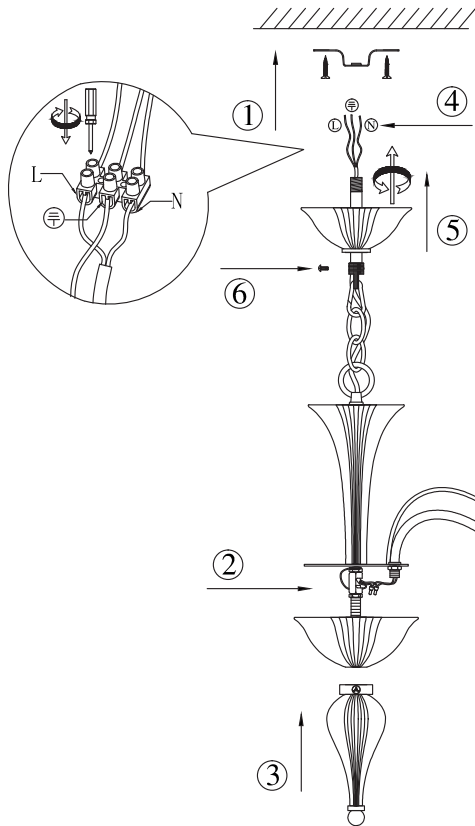
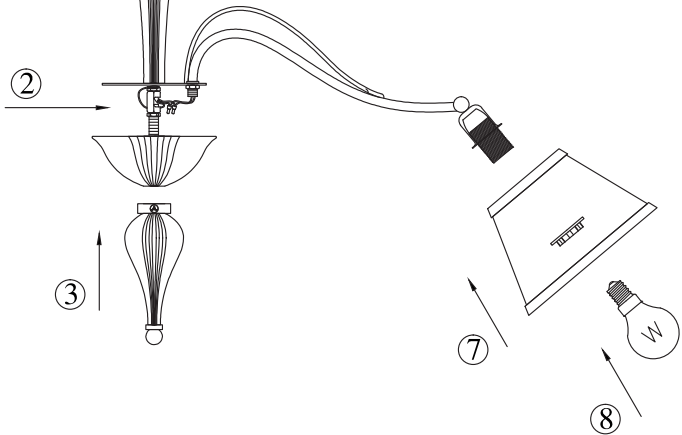



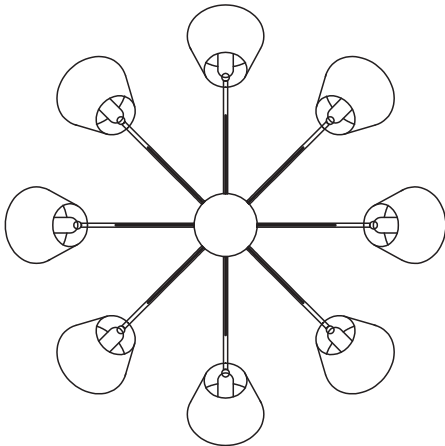
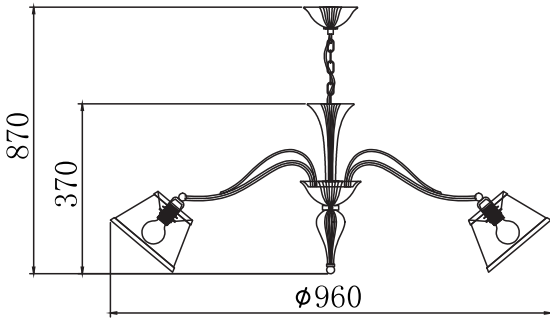
Instruction



Collection: Modern
Series: Virginita
Model: MOD150-08-W
Suspended



 - Suspended



 8 x E14 (40w)

MAYTONI
DECORATIVE LIGHTING

www.maytoni.de